

## INSTALLATION INSTRUCTIONS



Risk of fire and or electrical shock. Installation and or maintance must be performed by qualified personel in accordance with local and national codes and ordinances.



Ceiling Support and junction boxes must be firmly affixed to a solid supporting structure such as the ceiling or wall. If junction boxes are not secure, the fixtures will not be supported and can fall causing injury and damage.



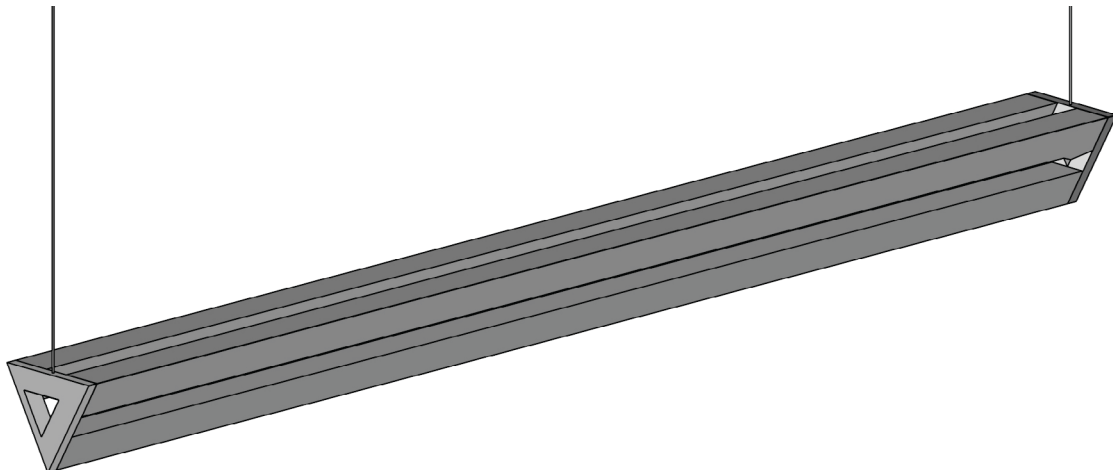
Turn off Power at the circuit before installing or performing maintenance on the fixtures. Failure to do so could result in a fatal shock.

### PARTS LIST

#### FOR INDIVIDUAL FIXTURES

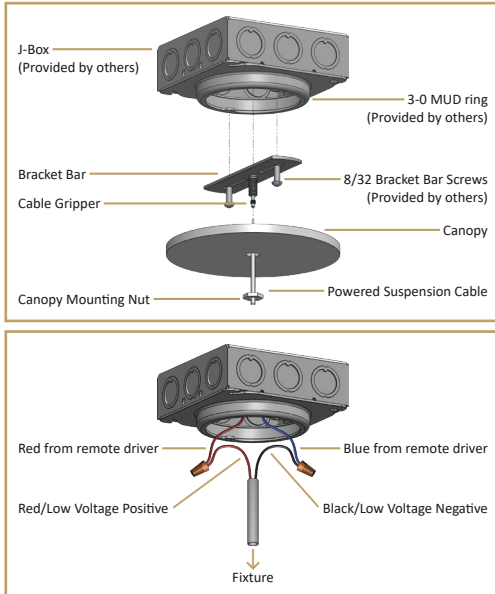
- Power Feed Canopy
- Non Power Feed Canopy  
*(depending on the configuration ordered, both suspension cables may require Power feed canopies)*
- Bracket Bars
- Locking Nuts
- Wire Nuts
- Cable Grippers
- Canopy Mounting Nut
- Allen Wrench *(for 8-32 set screw)*

### CABLE SUSPENDED



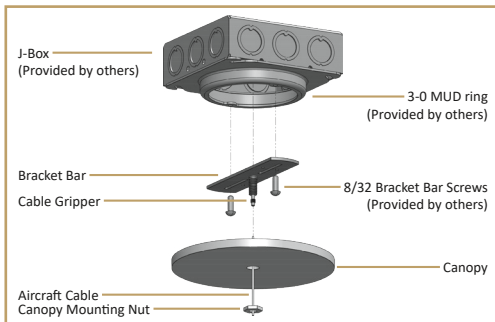
# INSTALLATION INSTRUCTIONS

## Power Feed Side



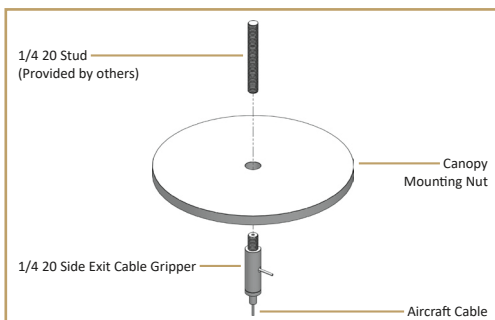
1. Install Bracket Bar to J-Box (provided by others) with (2) 8-32 Bracket Bar Screws (provided by others), and install the Cable Gripper into the Bracket Bar. Secure the Cable Gripper to the Bracket Bar with the supplied Locking Nut.
2. Thread the Powered Suspension through the Canopy Mounting Nut and the Canopy before inserting the Cable into the Cable Gripper. You may need to loosen the 8-32 set screw located on the base of the Cable Gripper to feed the Power cord through.
3. Once the desired suspension has been achieved, lock the 8-32 set screw.
4. Complete wire makeup in Jbox according to all national and local wiring codes
5. Secure the canopy to the Bracket Bar by fastening the Canopy Mounting Nut to the Cable Gripper.

## Non Power Side J-Box Option



1. Install Bracket Bar to J-Box (provided by others) with (2) 8-32 Bracket Bar Screws (provided by others), and install Cable Gripper.
2. Thread Aircraft Cable through Canopy Mounting Nut and Canopy before inserting into Cable Gripper. Attach Bell Crimp before using level to adjust to desired height.
3. Secure Canopy to the Bracket Bar by fastening the Canopy Mounting Nut to the Cable Gripper.

## Non Power Side: 1/4 20 Stud Option

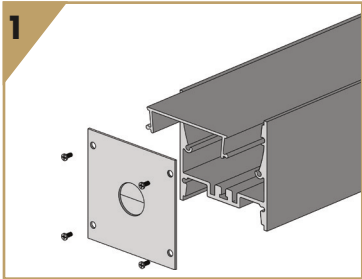


1. Install canopy to the 1/4 20 Stud (provided by others) and secure with 1/4 20 Side Exit Cable Gripper.
2. Insert Aircraft Cable into Side Exit Cable Gripper. Use level to adjust to desired height. Once desired height is achieved, clip off extra Aircraft Cable.

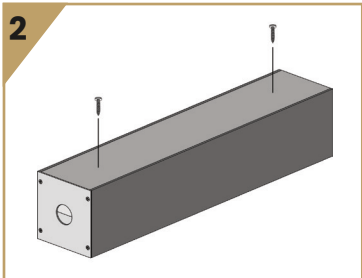
# INSTALLATION INSTRUCTIONS



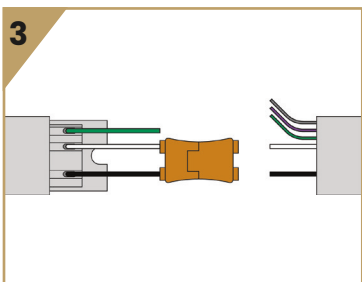
## REMOTE DRIVER HOUSING



1. Remove one end of the housing by removing the four screws securing the end cap, and slide out the lid.



2. Secure the housing to the surface using fasteners (provided by others). Remote driver housings must be spaced at least 3" apart.



3. Complete wire make up inside housing using wire nuts supplied by Artience Lighting. If remote driver housing is located in an attic, CL3 cable must be used to connect power from the driver to the fixture.

4. Replace lid and secure end cap by replacing the four screws.

## NOTES

### Recommended Wire Gauge

Distance	Gauge
≤ 30'	18 ga.
50'	14 ga.
Distance greater than 50' not recommended	

If fixture requires (2) remote drivers, the drivers **MUST BE** connected to the appropriate Power cables. The cables and the driver will be labeled