

INSTALLATION INSTRUCTIONS



Risk of fire and or electrical shock. Installation and or maintance must be performed by qualified personel in accordance with local and national codes and ordinances.



Ceiling Support and junction boxes must be firmly affixed to a solid supporting structure such as the ceiling or wall. If junction boxes are not secure, the fixtures will not be supported and can fall causing injury and damage.



Turn off Power at the circuit before installing or performing maintenance on the fixtures. Failure to do so could result in a fatal shock.

PARTS LIST

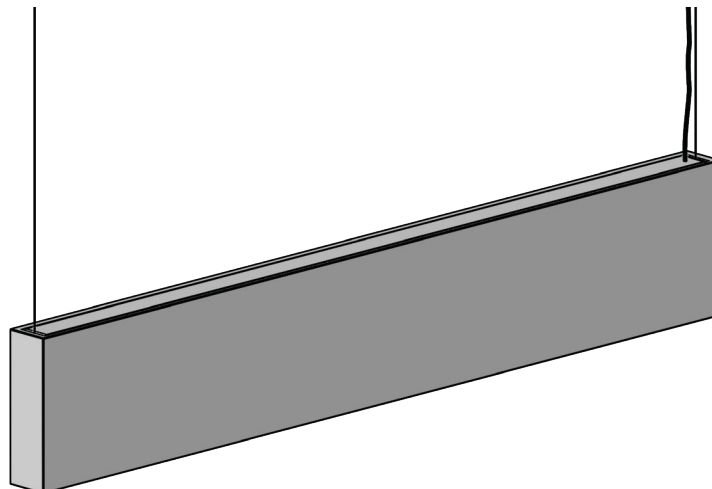
FOR INDIVIDUAL FIXTURES

- Power Feed Canopy
- Non Power Feed Canopy
- Bracket Bar
- 8-32 Bracket Bar Screws
- Bell Crimps
- Aircraft Cable
- Canopy Mounting Nut
- Zip Ties

FOR CONTINUOUS RUNS

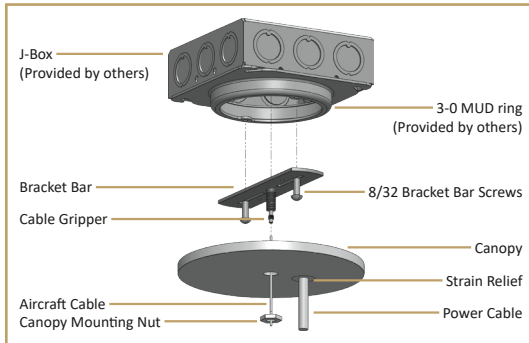
- 1" 8-32 Coupling Bolt
- Coupling Bolt Nut
- Light Leak Gasket

CABLE SUSPENDED

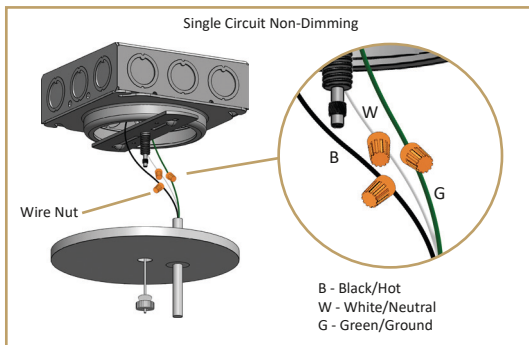


INSTALLATION INSTRUCTIONS

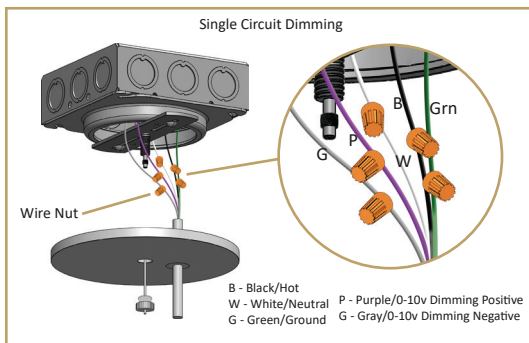
Power Feed Side



1. Install Bracket Bar to J-Box (provided by others) with (2) 8-32 Bracket Bar Screws, and install the Cable Gripper into the Bracket Bar.

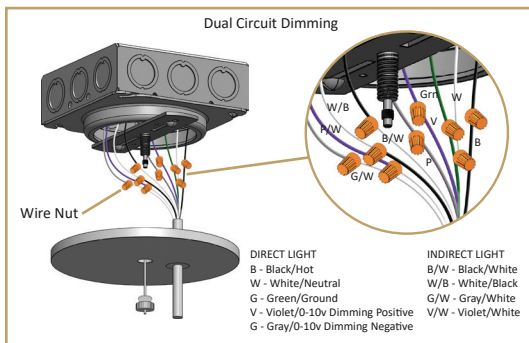


2. Thread the Aircraft Cable through the Canopy Mounting Nut and the Canopy before inserting the Cable into the Cable Gripper. Attach the supplied Bell Crimp to the end of the Aircraft Cable before using adjusting the fixture height.



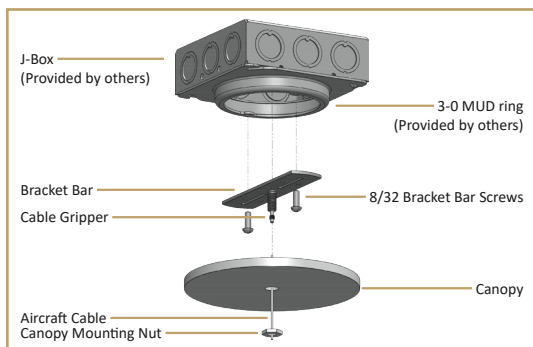
3. Connect the Power Cord to the existing wires in the J-Box, completing the wire makeup by following all national and local electrical laws and codes.

4. Secure Canopy to the Bracket Bar by fastening the Canopy Mounting Nut to the Cable Gripper.



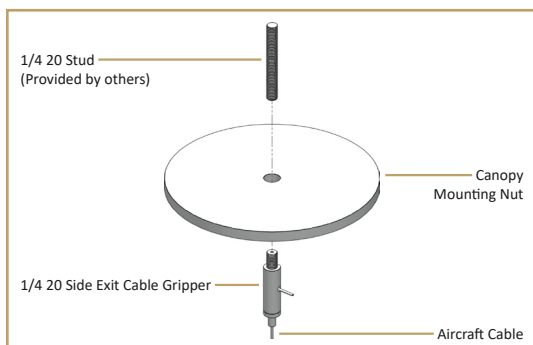
5. Secure the Power Cable to the Aircraft Cable with the supplied Zip Ties.

Non Power Side J-Box Option



1. Install Bracket Bar to J-Box (provided by others) with (2) 8-32 Bracket Bar Screws, and install Cable Gripper.
2. Thread Aircraft Cable through Canopy Mounting Nut and Canopy before inserting into Cable Gripper. Attach Bell Crimp before using level to adjust to desired height.
3. Secure Canopy to the Bracket Bar by fastening the Canopy Mounting Nut to the Cable Gripper.

Non Power Side: 1/4 20 Stud Option



1. Install canopy to the 1/4 20 Stud (provided by others) and secure with 1/4 20 Side Exit Cable Gripper.
2. Insert Aircraft Cable into Side Exit Cable Gripper. Use level to adjust to desired height. Once desired height is achieved, clip off extra Aircraft Cable.

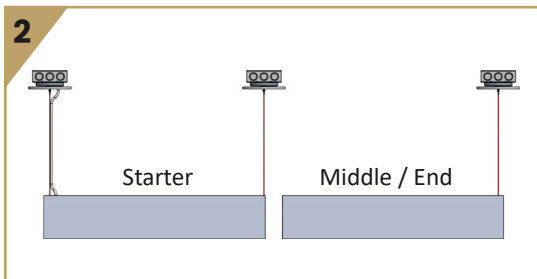
INSTALLATION INSTRUCTIONS



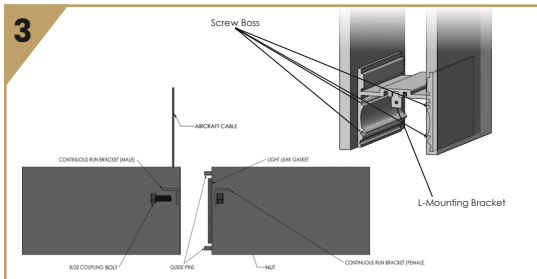
CONTINUOUS RUN



1. Install Starter fixture using the same steps used to install an individual fixture.



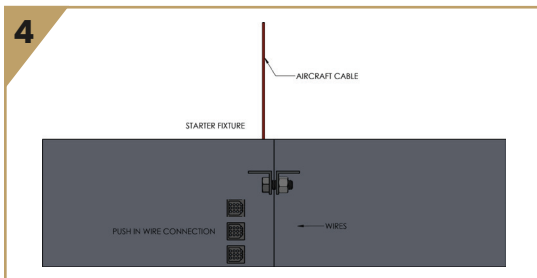
2. Remove the LED Tray and Lens of Middle fixture (the next fixture in the run) and carefully set aside. **Touching LEDs can damage them and result in a voided warranty.**



3. Thread Aircraft Cable of Middle Fixture through Canopy Mounting Nut and Canopy, then follow the NON Power SIDE instructions above. If a Power Cord is indicated, follow the Power FEED SIDE instructions above.

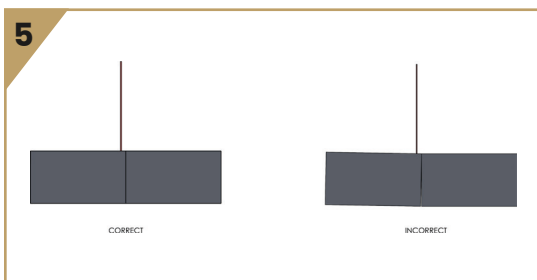
4. Insert Light Leak Gasket into the extrusion as indicated in illustration number 3. Note that the gasket will extend past the extrusion.

5. Lift the unsuspended side of the Middle Fixture and align the Guide Pins with the Screw Bosses on the Starter Fixture. Press the fixtures together and use the provided 8-32 Coupling Bolt to secure the two Continuous Run Brackets together.



6. Connect the wires from the Middle fixture with the corresponding Push In Wire Connectors in the Starter fixture.

7. Repeat steps 2-4 until all sections of the continuous run are installed.



8. Before Replacing LED Trays and Lenses, make sure fixture joints are correct.

9. If fixture joints cannot be made to seat properly, use the Adhesive Tape provided to cover the seem on the inside of the fixture.