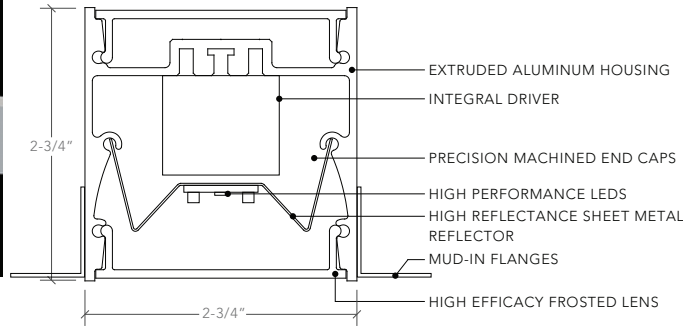
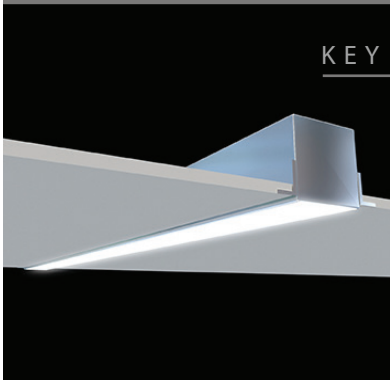


APOLLO

(RECESSED LINEAR)

KEY FEATURES



- EXTRUDED ALUMINUM HOUSING
- NO DIODE IMAGING
- MACHINED END CAPS
- MADE IN THE USA
- 5 YEAR WARRANTY
- UL LISTED FOR DRY/DAMP LOCATIONS



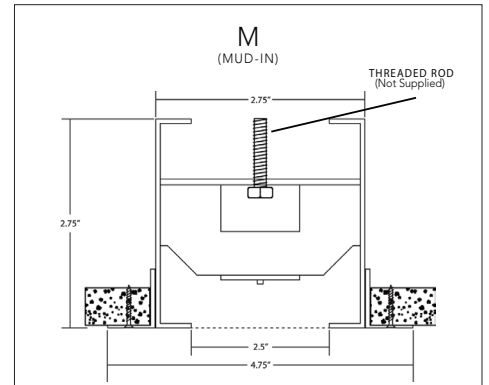
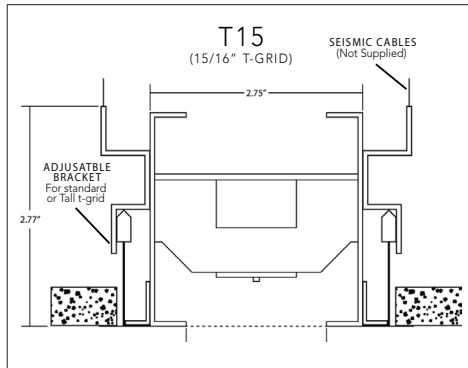
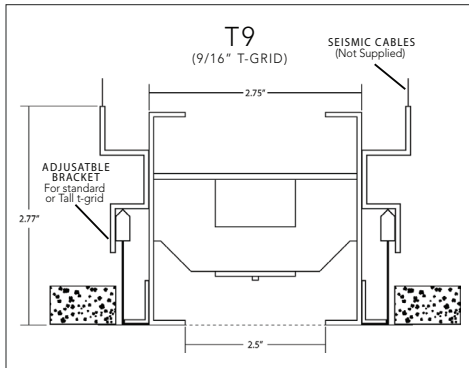
BUILD YOUR FIXTURE

APO

MOUNTING	NOMINAL LENGTH	CCT / CRI	POWER OUTPUT	VOLTAGE	DRIVER	EMERGENCY	OPTIONS
----------	----------------	-----------	--------------	---------	--------	-----------	---------

MOUNTING	NOMINAL LENGTH	CCT / CRI	POWER OUTPUT	VOLTAGE	DRIVER	EMERGENCY	OPTIONS
T9 9/16" T-grid	2 2'	827 2700K 80CRI	VLO Very Low Output	U Universal	1D 0-10v dim to 1%	X No EM	SHAPES Shapes
T15 15/16" T-grid	3 3'	830 3000K 80CRI	4W 520 Lm /Ft.	1 120v	EM7 7 Watt EM	EM7 7 Watt EM	NL nLight Sensor
M Mud-In	4 4'	835 3500K 80CRI	LO Low Output	2 227v	0D 0-10v dim to .1%	EM10 10 Watt EM	LS Lutron Sensor
	5 5'	840 4000K 80CRI	6W 765 Lm /Ft.		LDE1 Lutron	EMW Emergency Wiring (system by others)	OS Other Sensor
	6 6'	927 2700K 90CRI	MO Medium Output		LDE5 Lutron		
	7 7'	930 3000K 90CRI	8W 990 Lm /Ft.		CD Custom Driver (consult factory)		
	8 8'	935 3500K 90CRI	HO High Output				
	12 12'	940 4000K 90CRI	10W 1190 Lm /Ft.				
CR Cont. Run	RGB	RGB	VHO Very High Output				
CS Custom Shapes	RGBW	RGBW	12W 1395 Lm /Ft.				
	CLED	Custom LED Board	CPO Custom Power Output				

MOUNTING OPTIONS



- ADJUSTABLE BRACKETS ALLOW INSTALLATION IN STANDARD OR TALL T-GRID
- INTEGRAL DRIVER

FYSIKÓS (PHYSICAL)

- 6063 aluminum alloy is used to create a strong, light weight fixture housing
- 80+ CRI is standard; 90+ CRI is available

DIANOITKÓS (MENTAL)

- The Apollo comes in two options for light performance, direct and indirect
- Contact the factory for optional controls including daylight and occupancy sensors

PNUEMATIKÓS (SPIRITUAL)

- All artience lighting fixtures are proudly made in the usa
- Artience lighting fixtures are ul approved for dry/ damp locations (pending)
- All artience lighting fixtures are covered by our 5 year warranty

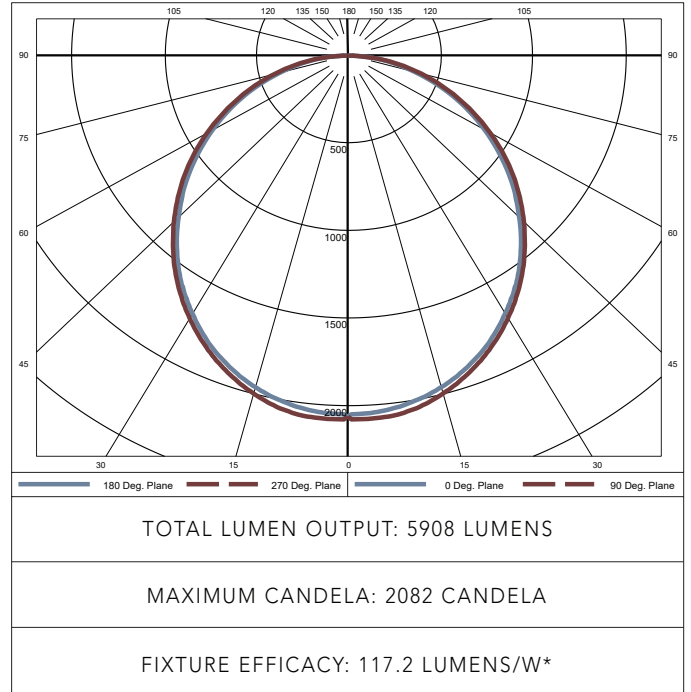
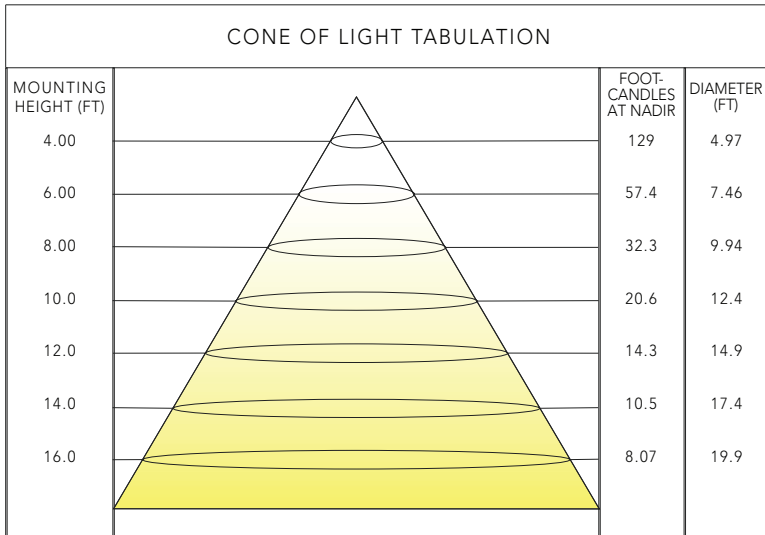
APOLLO

(PHOTOMETRICS)

PERFORMANCE DATA

DATA BASED ON 12 WATTS PER FT., 4000K CCT.

POWER/LUMEN OUTPUT			
DRIVER POWER	WATTS/FT.	LUMENS/FT.	LUMENS/W
A	4	524	131
B	6	731	128
C	8	985	125
D	10	1244	122
E	12	1475.5	117.2



*FIXTURE EFFICACY CAN BE INCREASED BY REDUCING DRIVER POWER.

BEAM AND FIELD INFORMATION	
CIE TYPE	DIRECT/INDIRECT
CENTER BEAM INTENSITY:	2065 CANDELA
CENTRAL CONE INTENSITY:	2062 CANDELA
BEAM FLUX:	8374.7 LUMENS
BEAM ANGLE (0-180):	109.4 DEGREES
FIELD ANGLE (90-270):	111.8 DEGREES
FIELD ANGLE (0-180):	163.8 DEGREES
BEAM ANGLE (90-270):	165.2 DEGREES