

INSTALLATION INSTRUCTIONS



Risk of fire and or electrical shock. Installation and or maintance must be performed by qualified personel in accordance with local and national codes and ordinances.



2" x 4" Framing required on both sides of housing.

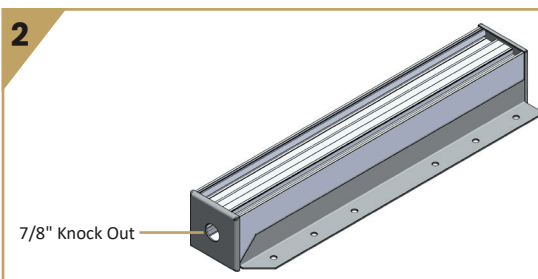
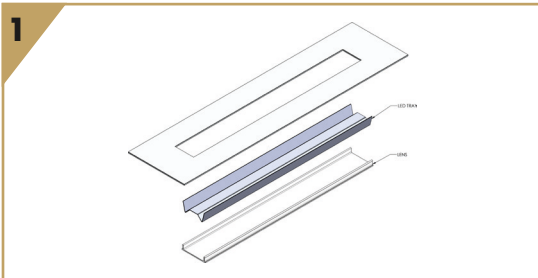


Turn off power at the circuit before installing or performing maintenance on the fixtures. Failure to do so could result in a fatal shock.

PARTS LIST

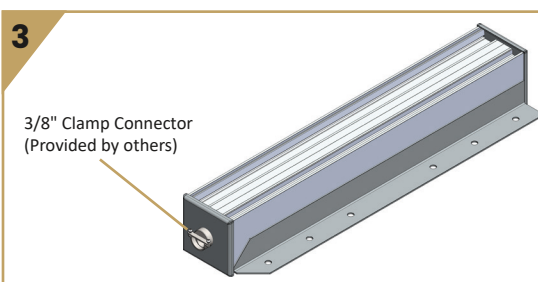
- Spacing Lens

MUD IN



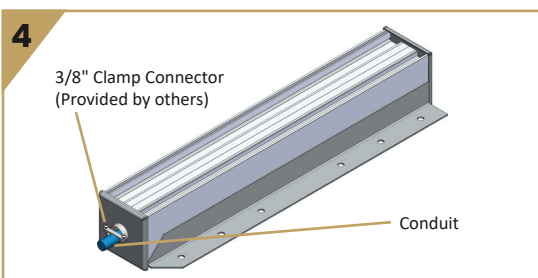
1. Remove Lens and LED Tray carefully setting aside. **TOUCHING LEDs CAN DAMAGE THEM AND RESULT IN A VOIDED WARRANTY.**

2. Remove 7/8" Knock Out on desired side of fixture.



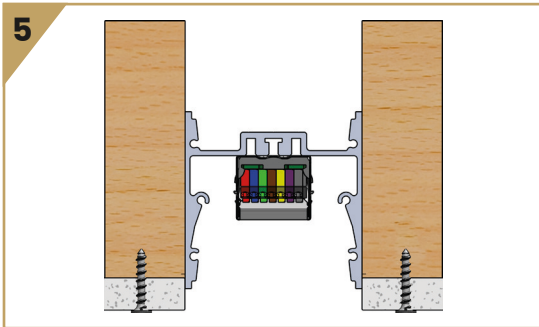
3. Install 3/8" Clamp Connector (provided by others).

4. Bring Conduit in through 3/8" Clamp Connector and Install Starter fixture using the same steps used to install an individual fixture.

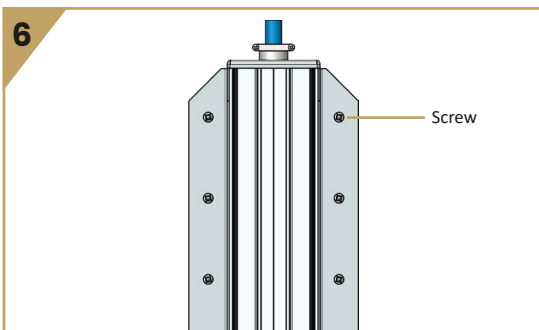


INSTALLATION INSTRUCTIONS

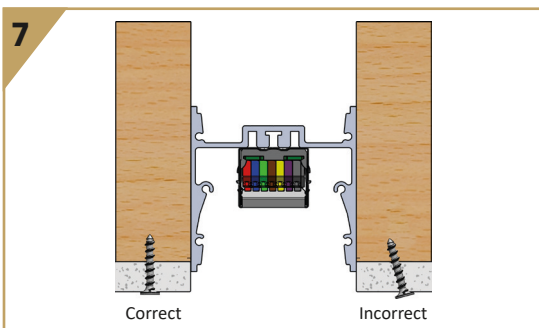
CONTINUOUS RUN



5. Fit fixture into roughed opening and secure with drywall screws (provided by others).

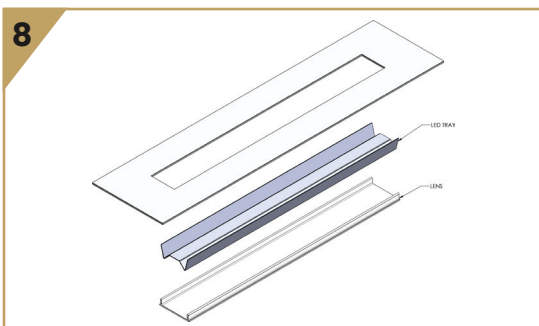


6. Stagger screws and keep spacing to a maximum of 5".



7. Take caution to ensure not to drive screws at an angle.

8. Carefully replace the LED tray, connecting the BLUE and RED wires to the corresponding port on the driver. **TOUCHING LEDs CAN DAMAGE THEM AND RESULT IN A VOIDED WARRANTY.**



9. After taping and mud have been completed, remove the Protective Tape on the Lens, being careful not damage the mudding.